

- 1
- 2
- 3
- 4
- 5
- 6
- 7
- 8
- 9
- 10
- 11
- 12
- 13
- 14
- 15
- 16
- 17
- 18

HANDLE SHANKS

Die-cast zinc alloy, epoxy resin coating, RAL 9005 black colour, matte finish. Fixed to the oval tube by a screw.

END CAPS

Polyamide based (PA) technopolymer, light grey colour.

STANDARD EXECUTIONS

Back mounting, threaded blind holes:

- **GN 335-A-EL**: anodised aluminium tube, natural colour.
- **GN 335-A-SW**: aluminium tube, epoxy resin coating, RAL 9005 black colour, matte finish.

Front mounting by means of AISI 304 stainless steel screws, nuts and washers, included in the supply:

- **GN 335-B-EL**: anodised aluminium tube, natural colour.
- **GN 335-B-SW**: aluminium tube, epoxy resin coating, RAL 9005 black colour, matte finish.

FEATURES AND APPLICATIONS

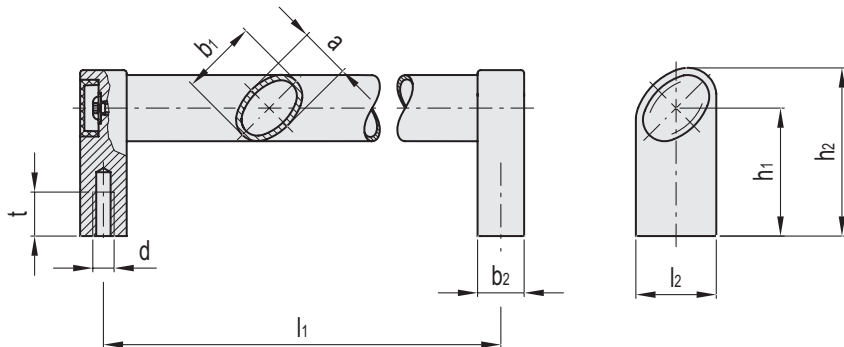
The GN 335 tubular handles are at a 45° inclination of the tube axes. These handles are typically used on turning or rolling doors for machines and equipment.

SPECIAL EXECUTIONS ON REQUEST

Different lengths.
Handles with oval tube in anodized aluminium, natural colour and RAL 9006 light grey supports.



Conversion Table	
1 mm = 0.039 inch	
mm	inch
200	7.87
250	9.84
300	11.81
400	15.75
500	19.69
600	23.62
800	31.50



METRIC

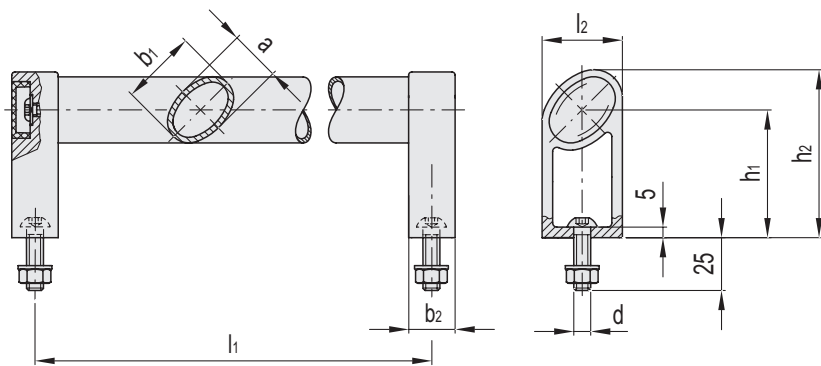
GN 335-A

Code	Description	b1	l1	d	b2	a	h1	h2	l2	tmin	⚖️
GN.16831	GN 335-36-200-A-EL	36	200	M8	22	24	60.5	79.5	38	15	1061
GN.16833	GN 335-36-200-A-SW	36	200	M8	22	24	60.5	79.5	38	15	500
GN.16839	GN 335-36-250-A-EL	36	250	M8	22	24	60.5	79.5	38	15	1093
GN.16841	GN 335-36-250-A-SW	36	250	M8	22	24	60.5	79.5	38	15	1136
GN.16847	GN 335-36-300-A-EL	36	300	M8	22	24	60.5	79.5	38	15	1133
GN.16849	GN 335-36-300-A-SW	36	300	M8	22	24	60.5	79.5	38	15	1128
GN.16855	GN 335-36-400-A-EL	36	400	M8	22	24	60.5	79.5	38	15	1258
GN.16857	GN 335-36-400-A-SW	36	400	M8	22	24	60.5	79.5	38	15	1264
GN.16863	GN 335-36-500-A-EL	36	500	M8	22	24	60.5	79.5	38	15	1278
GN.16865	GN 335-36-500-A-SW	36	500	M8	22	24	60.5	79.5	38	15	1293
GN.16871	GN 335-36-600-A-EL	36	600	M8	22	24	60.5	79.5	38	15	1430
GN.16873	GN 335-36-600-A-SW	36	600	M8	22	24	60.5	79.5	38	15	1368
GN.16879	GN 335-36-800-A-EL	36	800	M8	22	24	60.5	79.5	38	15	1601
GN.16881	GN 335-36-800-A-SW	36	800	M8	22	24	60.5	79.5	38	15	1522

Handles



Conversion Table	
1 mm = 0.039 inch	
l1	
mm	inch
200	7.87
250	9.84
300	11.81
400	15.75
500	19.69
600	23.62
800	31.50



GN 335-B

METRIC

Code	Description	b1	l1	d	b2	a	h1	h2	l2	⚖
GN.16835	GN 335-36-200-B-EL	36	200	M8	22	24	60.5	79.5	38	1029
GN.16837	GN 335-36-200-B-SW	36	200	M8	22	24	60.5	79.5	38	1061
GN.16843	GN 335-36-250-B-EL	36	250	M8	22	24	60.5	79.5	38	1061
GN.16845	GN 335-36-250-B-SW	36	250	M8	22	24	60.5	79.5	38	1104
GN.16851	GN 335-36-300-B-EL	36	300	M8	22	24	60.5	79.5	38	560
GN.16853	GN 335-36-300-B-SW	36	300	M8	22	24	60.5	79.5	38	1096
GN.16859	GN 335-36-400-B-EL	36	400	M8	22	24	60.5	79.5	38	1226
GN.16861	GN 335-36-400-B-SW	36	400	M8	22	24	60.5	79.5	38	1232
GN.16867	GN 335-36-500-B-EL	36	500	M8	22	24	60.5	79.5	38	1246
GN.16869	GN 335-36-500-B-SW	36	500	M8	22	24	60.5	79.5	38	1261
GN.16875	GN 335-36-600-B-EL	36	600	M8	22	24	60.5	79.5	38	1399
GN.16877	GN 335-36-600-B-SW	36	600	M8	22	24	60.5	79.5	38	1336
GN.16883	GN 335-36-800-B-EL	36	800	M8	22	24	60.5	79.5	38	1569
GN.16885	GN 335-36-800-B-SW	36	800	M8	22	24	60.5	79.5	38	1490